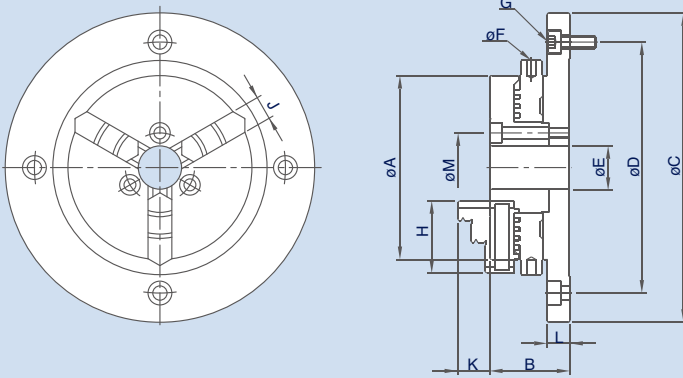


超薄型夾盤

1. 輕、薄、短小的設計，適用於工件量測夾持。
2. 直接轉動旋盤，免於使用扳手旋轉干涉。
3. 鋼製本體，耐用性甚佳。
4. 夾爪正反夾持兩用設計，操作方便。
5. 2"最小工件夾持0.8mm。



尺寸圖 » Dimensions



1. By the compactness comes from " Light, Thin, Short, Small " designing concept; the chucks are most fitting to hold work pieces for measuring.
2. Just rotate the chuck knob directly for gripping and loosening, A handle is not necessary to be used.
3. Chuck body is made of very durable steel.
4. Jaws can be reversibly used; gripping of various sizes becomes much convenient.
5. 2" chucks can even grip up to the smallest size of 0.8mm.

規格表 » Specifications

單位/UNIT:mm

型式/規格 MODEL / SPEC.	A	B	C	D	E	F
SE-02	63	28	118	100	16	4
SE-03	85	37	143	116	20	4
SE-04	110	39	168	140	26	5
SE-05	130	45	202	168	32	6
SE-06	160	52	248	208	50	8

型式/規格 MODEL / SPEC.	G	H	J	K	L
SE-02	4-M5x0.8P	27	8	13	8
SE-03	4-M6x1P	35	11	15	10.5
SE-04	4-M6x1P	42	14	19	10
SE-05	4-M8x1.25P	50	16	21	11.5
SE-06	4-M10x1.5P	65	19	26	15

型式/規格 MODEL / SPEC.	M	外徑把握 O.D.Clamping (mm)	把握範圍 Max.Gripping Diameter	內徑把握 I.D.Clamping (mm)	淨重 Weight (kg)
SE-02	26	ø0.8~ø63		ø23~ø58	1.2
SE-03	32	ø1~ø81		ø31~ø70	2.9
SE-04	40	ø1~ø100		ø36~ø90	4.3
SE-05	49	ø1.5~ø116		ø43~ø106	6.2
SE-06	70	ø1.5~ø160		ø52~ø148	11.1